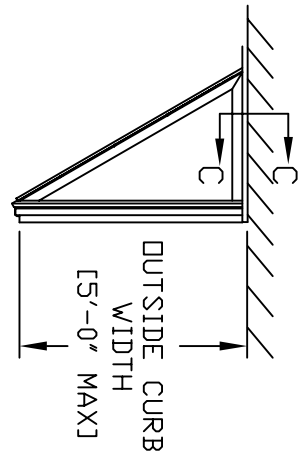
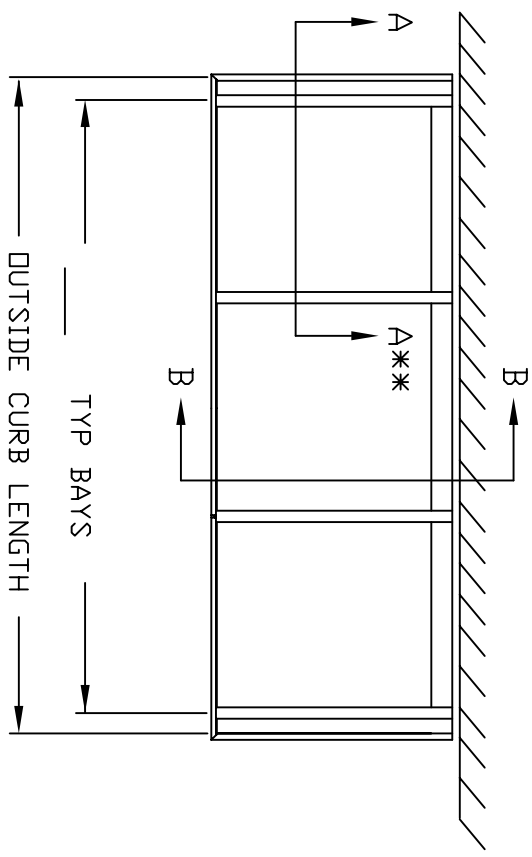


MODEL NUMBER	OUTSIDE DIMENSIONS		# OF BAYS	QTY	PITCH
	WIDTH	LENGTH			
VL2G	X				<input type="checkbox"/> 4:12
VL2G	X				<input type="checkbox"/> 7:12
VL2G	X				

\*\* WHEN UNITS ARE REQUIRED TO BE SHIPPED IN SECTIONS, THE SECTION RAFTER DETAIL WILL APPLY AT THOSE SPLICE LOCATIONS ONLY



PLAN VIEW  
FOR ILLUSTRATION ONLY.  
QUANTITY OF BAYS MAY VARY.

ORDER #: \_\_\_\_\_ DATE: \_\_\_\_\_

PROJECT: \_\_\_\_\_

LOCATION: \_\_\_\_\_

CUSTOMER: \_\_\_\_\_

APPROVED BY: \_\_\_\_\_ DATE: \_\_\_\_\_

GENERAL NOTES:

- BAY AREA NOT TO EXCEED 24SF UNLESS APPROVED BY NATURALITE.
- 7/12 PITCH ONLY.
- UNITS WILL BE SHIPPED ASSEMBLED AND GLAZED IN SECTIONS NOT TO EXCEED 20'-0" OR 1000 LBS.
- STRUCTURAL CAPACITY OF SKYLIGHT SYSTEM 40 PSF POSITIVE & NEGATIVE LOAD.
- CURBS & FASTENERS MUST BE CAPABLE OF SUPPORTING HORIZONTAL & VERTICAL LOADS IMPOSED BY THE SKYLIGHT. SEE SHEET 4 FOR LOADS.
- UNITS MUST BE INSTALLED FROM LEFT TO RIGHT WHEN FACING THE UNIT.

1" IG GLAZING: COMPOSED OF

OUTER:  1/4" HEAT STRENGTHENED GLASS  
 CLEAR HS  GRAY HS  
 BRONZE HS  GREEN HS

AIR SPACE:  1/2" AIR FILLED  
 1/2" ARGON FILLED

INNER: LAMINATED GLASS  
 1/4" CLEAR HS/.030 PVB  
 1/4" CLEAR HS/ LOW-E/ #3 SURFACE

FINISH:

MILL (STD)  204R1 CLEAR ANODIZE

70% KYNAR PAINT  740EC DARK BRONZE ANODIZE

SEE CHART FOR COLOR AVAILABILITY

**NATURALITE**  
SKYLIGHT SYSTEMS  
750 AIRPORT ROAD TERRELL, TX 75160 972-551-6400

DESCRIPTION: VERSALEAN2 SKYLIGHT  
CURB MOUNT-VERTICAL ENDS  
1" INSULATED GLASS GLAZING

CUSTOMER VERIFICATION

I VERIFY THAT ALL CURB AND SUPPORT DIMENSIONS SHOWN ON THESE DRAWINGS ARE CORRECT AND I HEREBY AUTHORIZE FABRICATION OF MATERIAL WITH THE UNDERSTANDING THAT ADJACENT AND SUPPORT CONSTRUCTION WILL BE BUILT TO WITHIN ±1/2".

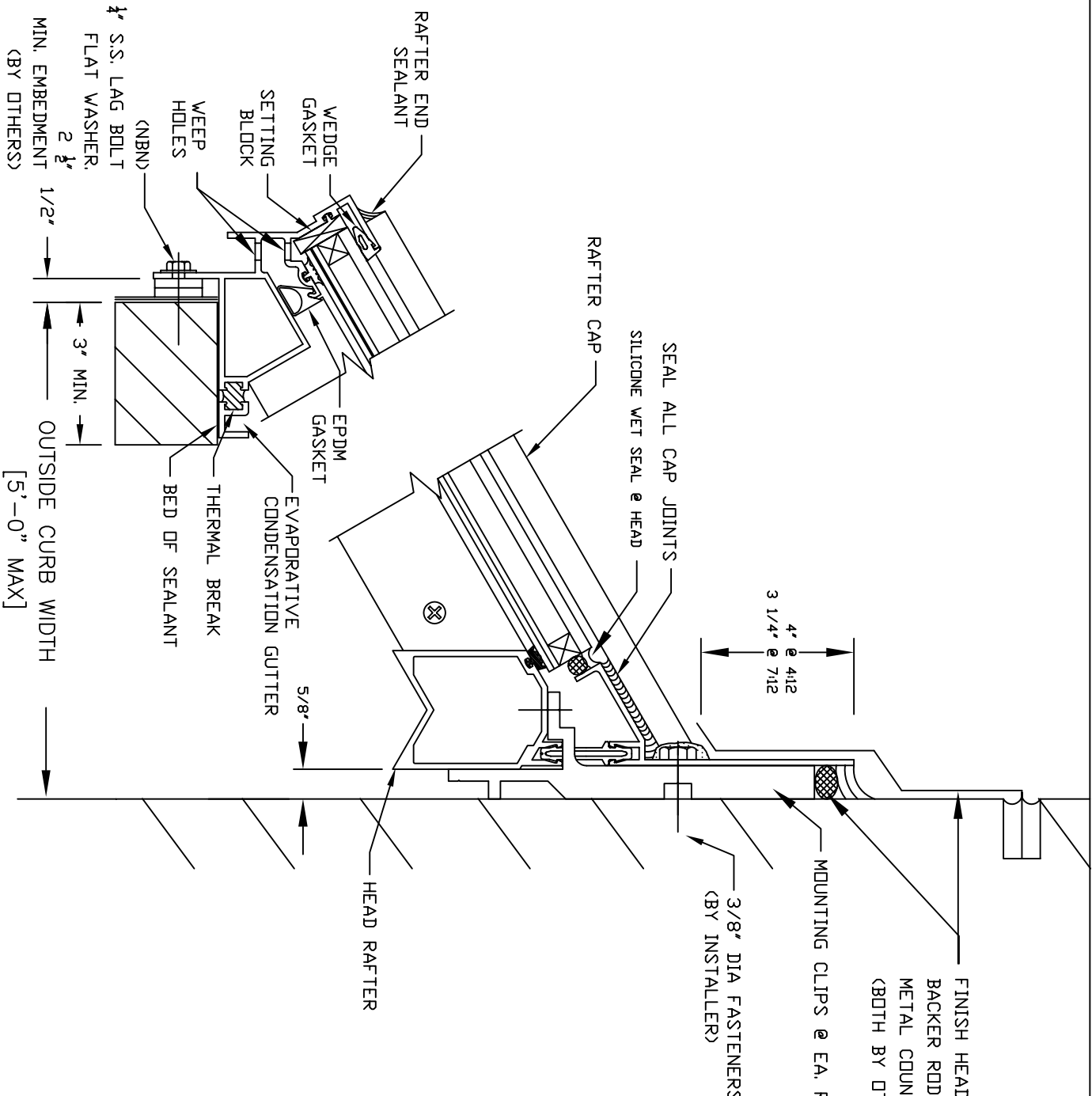
NAME: \_\_\_\_\_ DATE: \_\_\_\_\_

COMPANY: \_\_\_\_\_

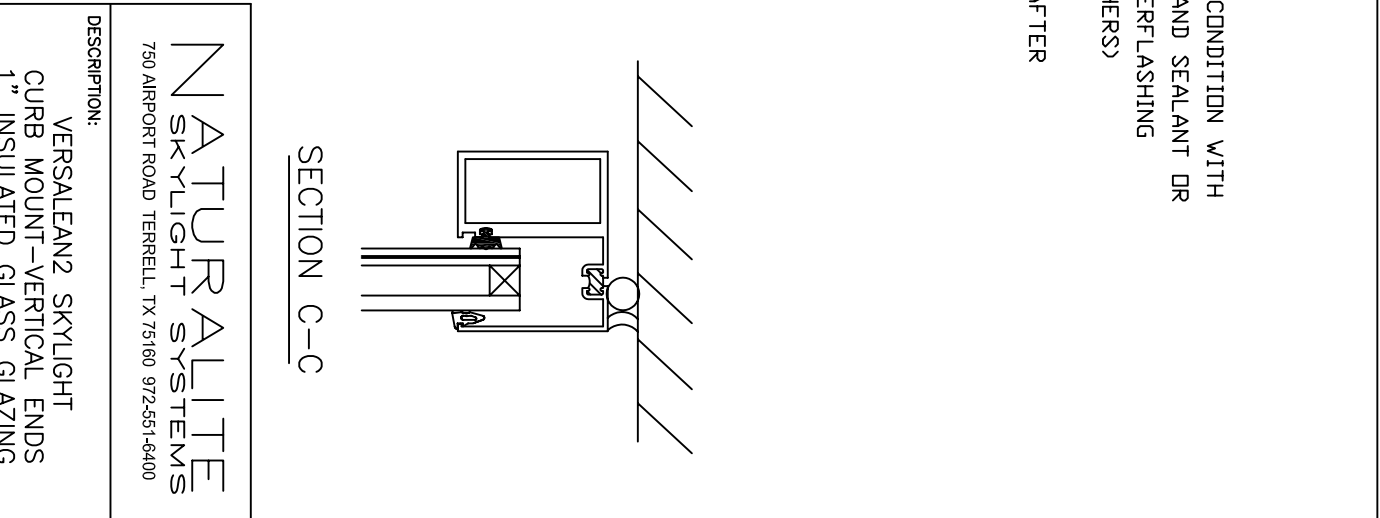
DRAWN BY: \_\_\_\_\_ REV: \_\_\_\_\_ MODEL: \_\_\_\_\_ DRAWING NO: \_\_\_\_\_

R. HEATHER A VL2G VL2G-01

WEIGHT: N/A SCALE: N/A DATE: 11/17/2006 SHEET: 1 of 4



SECTION B-B

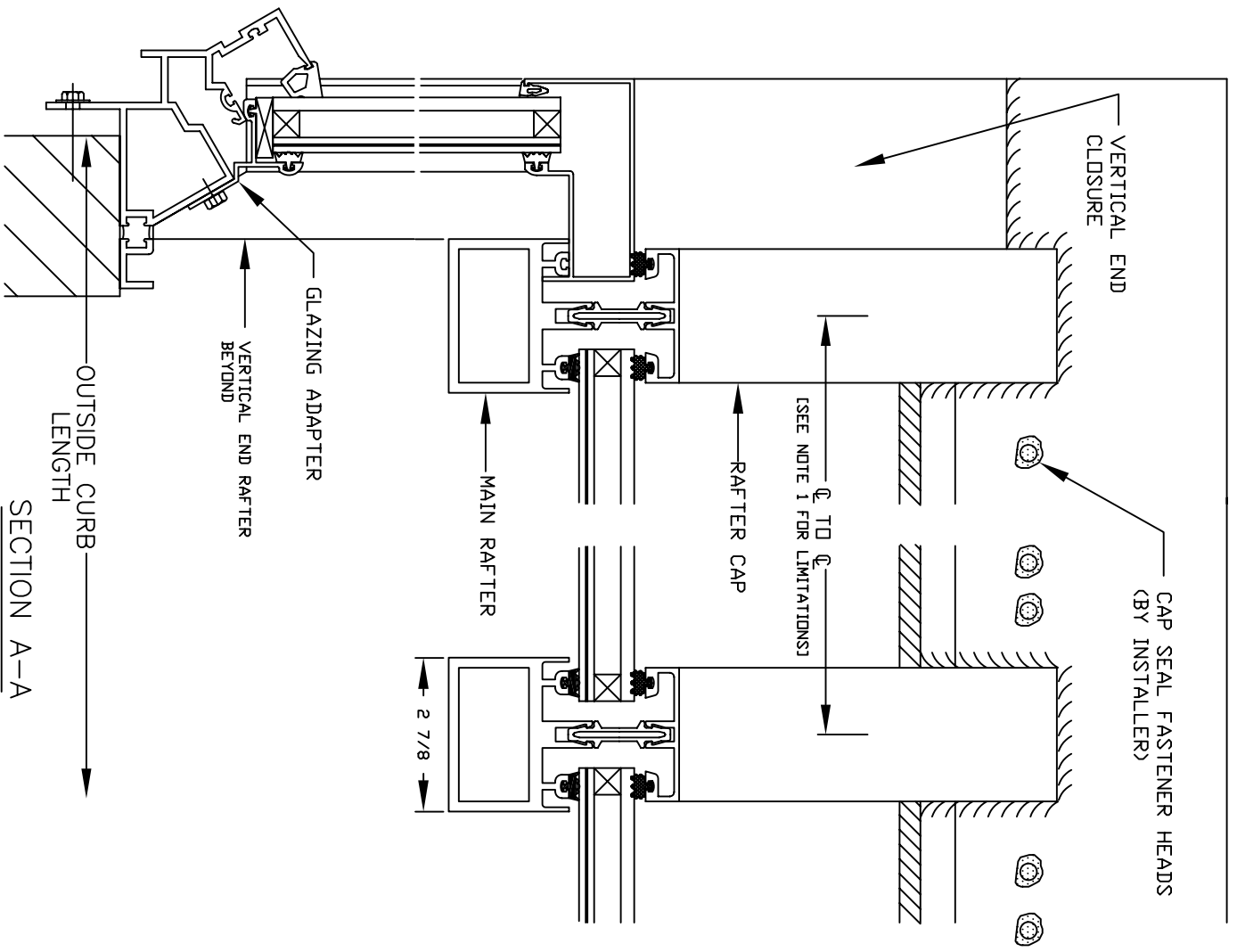


SECTION C-C

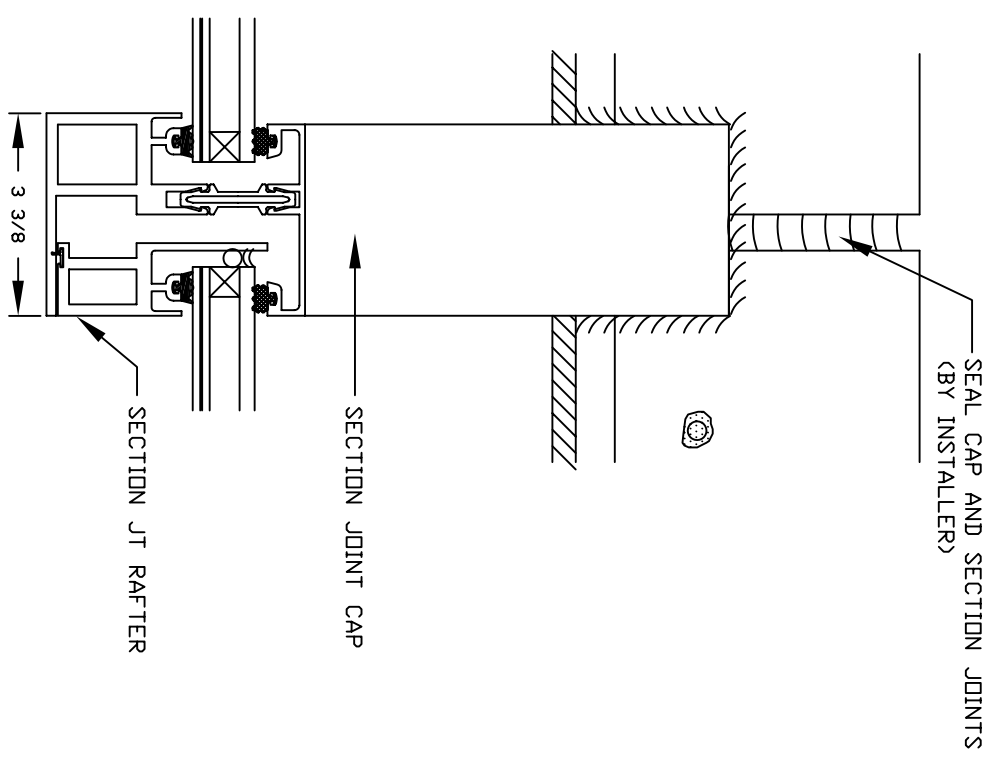
**NATURALITE**  
 SKYLIGHT SYSTEMS  
 750 AIRPORT ROAD TERRELL, TX 75160 972-551-6400

DESCRIPTION:  
 VERSALEAN2 SKYLIGHT  
 CURB MOUNT-VERTICAL ENDS  
 1" INSULATED GLASS GLAZING

DRAWN BY:	REV:	MODEL:	DRAWING NO.:
R.HEATHER	A	VL2G	VL2G-02
WEIGHT: N/A	SCALE: N/A	DATE: 11/17/2006	SHEET: 2 of 4



SECTION A-A



\*\* SECTION RAFTER DETAIL

**NATURALLITE**  
 SKYLIGHT SYSTEMS  
 750 AIRPORT ROAD TERRELL, TX 75160 972-551-6400

DESCRIPTION:  
 VERSALEAN2 SKYLIGHT  
 CURB MOUNT-VERTICAL ENDS  
 1" INSULATED GLASS GLAZING

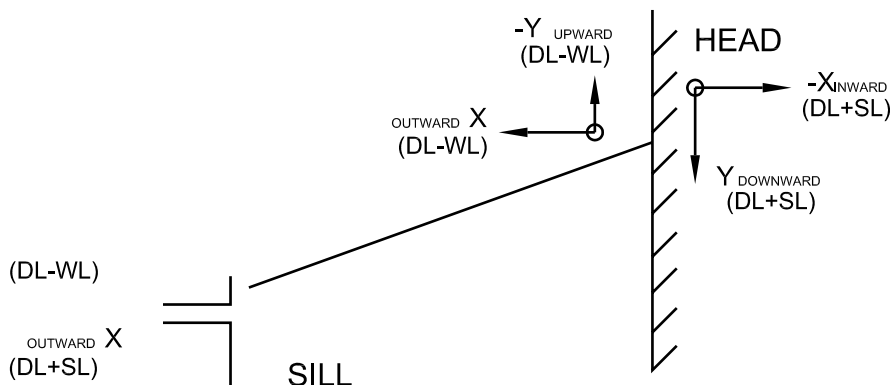
DRAWN BY:	REV:	MODEL:	DRAWING NO.:
R. HEATHER		VL2G	VL2G-03
WEIGHT: N/A	SCALE: N/A	DATE: 2/1/2006	SHEET: 3 of 4

7/12		PACING							
		HEAD				SILL			
WIDTH (FT)		- X (DL+SL)	Y (DL+SL)	X (DL+WL)	- Y (DL+WL)	X (DL+SL)	Y (DL+SL)	X (DL+WL)	- Y (DL+WL)
2		-68	116	55	-95	68	194	85	-77
3		-101	174	83	-142	101	292	128	-115
						135	388	171	-153
						169	485	213	-192

7/12		LOAD CHART 4'-0" RAFTER SPACING							
		HEAD				SILL			
WIDTH (FT)		- X (DL+SL)	Y (DL+SL)	X (DL+WL)	- Y (DL+WL)	X (DL+SL)	Y (DL+SL)	X (DL+WL)	- Y (DL+WL)
2		-90	154	74	-126	90	259	114	-102
3		-135	231	110	-189	135	388	171	-153
4		-180	308	147	-251	180	518	227	-204
5		-225	385	183	-314	225	647	284	-255

4/12		LOAD CHART 3'-0" RAFTER SPACING							
		HEAD				SILL			
WIDTH (FT)		- X (DL+SL)	Y (DL+SL)	X (DL+WL)	- Y (DL+WL)	X (DL+SL)	Y (DL+SL)	X (DL+WL)	- Y (DL+WL)
2		-46	137	31	-92	46	167	50	-86
3		-69	205	46	-138	69	251	75	-128
4		-91	273	61	-184	91	334	99	-171
5		-114	342	77	-229	114	418	124	-213

4/12		LOAD CHART 4'-0" RAFTER SPACING							
		HEAD				SILL			
WIDTH (FT)		- X (DL+SL)	Y (DL+SL)	X (DL+WL)	- Y (DL+WL)	X (DL+SL)	Y (DL+SL)	X (DL+WL)	- Y (DL+WL)
2		-61	182	41	-126	61	223	66	-114
3		-91	273	61	-189	91	388	99	-171
4		-122	364	82	-251	122	445	132	-228
5		-152	455	102	-314	152	556	165	-285



**NATURALITE**  
SKYLIGHT SYSTEMS  
750 AIRPORT ROAD TERRELL, TX 75160 972-551-6400

DESCRIPTION:  
**VERSALEAN2 SKYLIGHT CURB LOAD CHARTS**

DRAWN BY:	REV: -	MODEL: VL2	DRAWING No: VL2-04
WEIGHT: N/A	SCALE: N/A	DATE: 02/14/2006	SHEET: 4 of 4